

# THOR 123



**CUTTING THICKNESS**

<b>25mm</b> Raccomanded Quality Cut (500mm/min)	<b>30mm</b> Quality Cut (250mm/min)	<b>40mm</b> Maximun Separation
--	---	--------------------------------------

**PIERCE RATING OF 15mm**



The series of THOR Inverter Plasma Cutting machines are manufactured together with Stel experience and advanced technology to provide the maximum reliability and cutting performance.

The THOR 123 versions of 100 Amps, produce a quality cut of 30mm.

With the “1-Torch” the life of the consumables and the quality cut are by far higher than other brands, therefore saving money and time.

The THOR 123 is supplied complete with a 6 meter torch and 16mm<sup>2</sup> earth cable with clamp.



## MAIN FEATURES



### 1-TORCH

The “1-Torch” is made using the latest technology in torch manufacturing, resulting in a practical, and comfortable plasma cutting torch producing a superior cut.



### CONTACT CUTTING

Possibility of contact cutting at 40 amps with extended Tip and Maximum Life Shield Cup Body.



### RESET

The “Reset” feature is a Safety function that automatically isolates the machine whilst changing consumables, therefore providing added protection to the operator. The Arc can not be ignited while “Reset” warning is activated.



### CONSUMABLES

Large choice of accessories and consumables for the “1-Torch” are available for many applications.

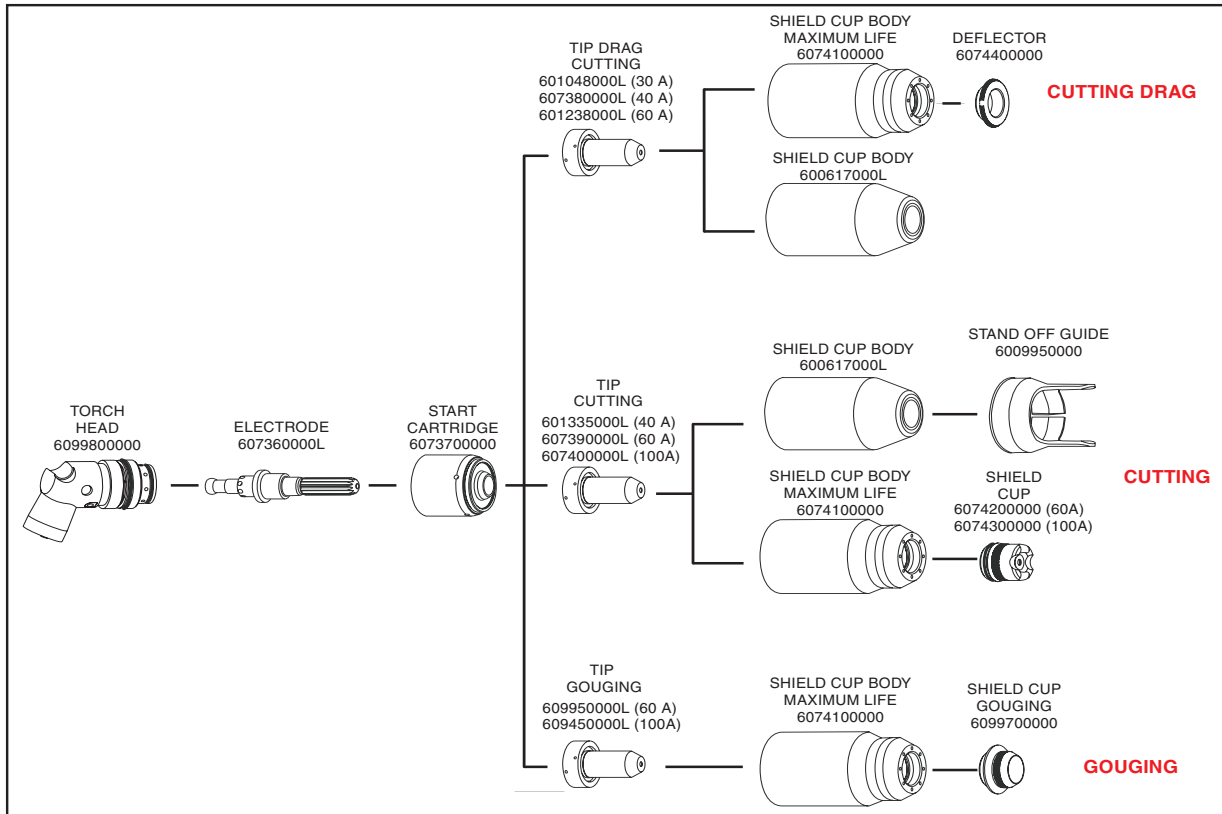


### MADE IN ITALY

Manufactured entirely in Italy by Stel, to guarantee the very best in quality and safety.

Technical Data		THOR 123	Features		THOR 123
Main Voltage		380/415 V	Earth Clamp		16mm <sup>2</sup>
Phase		3	Degree of Protection		IP 23
Frequency		50/60 Hz	Insulation Class		H
Real Current (20%)		13,5 A	Cooling		AIR
Real Power (20%)		9 KVA	Work Temperature		40°C
Power Factor		0,9	Length/Width/Height (mm)		495x280x720
Efficiency		87 %	Weight		46 Kg
No Load Voltage		270 V			
Current Range		20-100 A			
Cutting Current 60%	(25° C)	85 A			
Cutting Current 100%	(25° C)	75 A			
Cutting Current 20%	(40° C)	100 A			
Cutting Current 100%	(40° C)	65 A			

The data is measured at an environment temperature of 40 °C



### Main Accessories

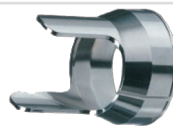


**CIRCLE CUTTING KIT**  
 Circle Cutting Kit for 1-torch Thermadyne.  
 Simple and easy installation for perfect and precise cutting.  
 Cod. 6074800000



**PLASMA TORCH 1-Torch**  
 - 6m Rubber Cable  
 - Long Life Consumables

Cod. 607340000L



**STAND-OFF GUIDE**  
 Recommended for long cuts, and on thicker gauges. Decreases the wear of consumables and helps support the torch.  
 Cod. 6009950000